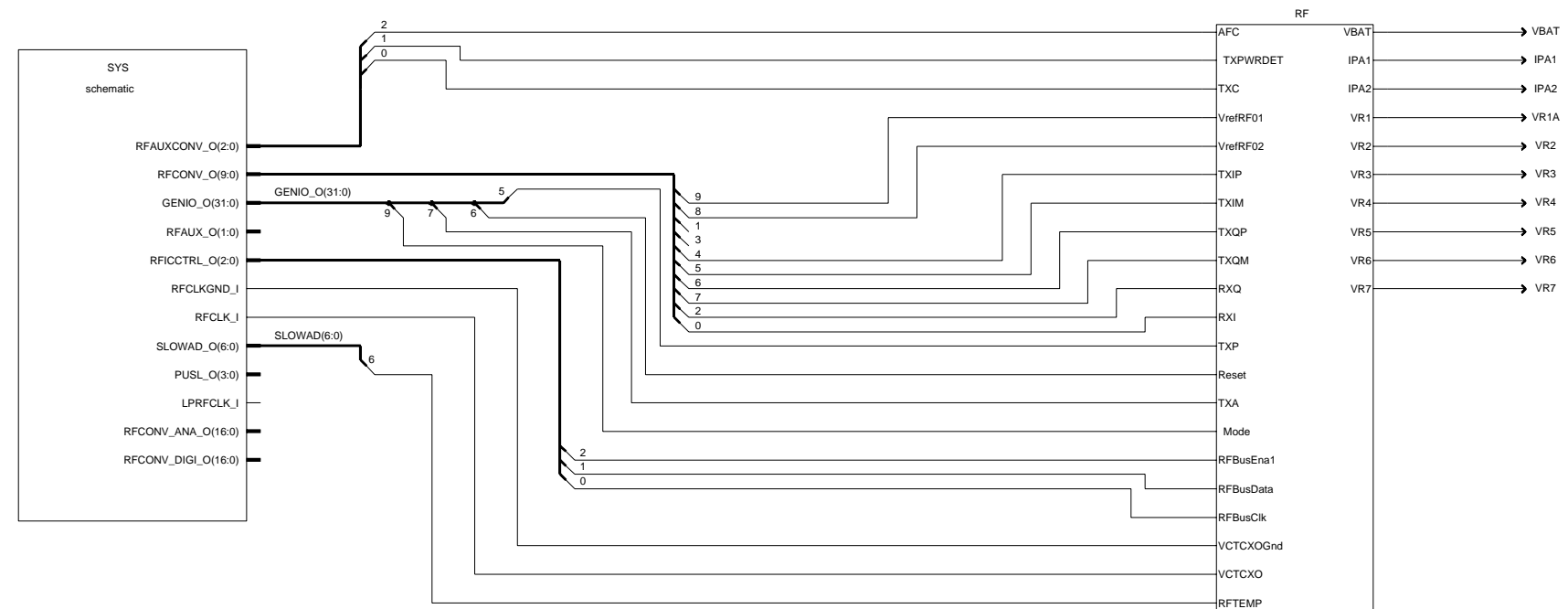
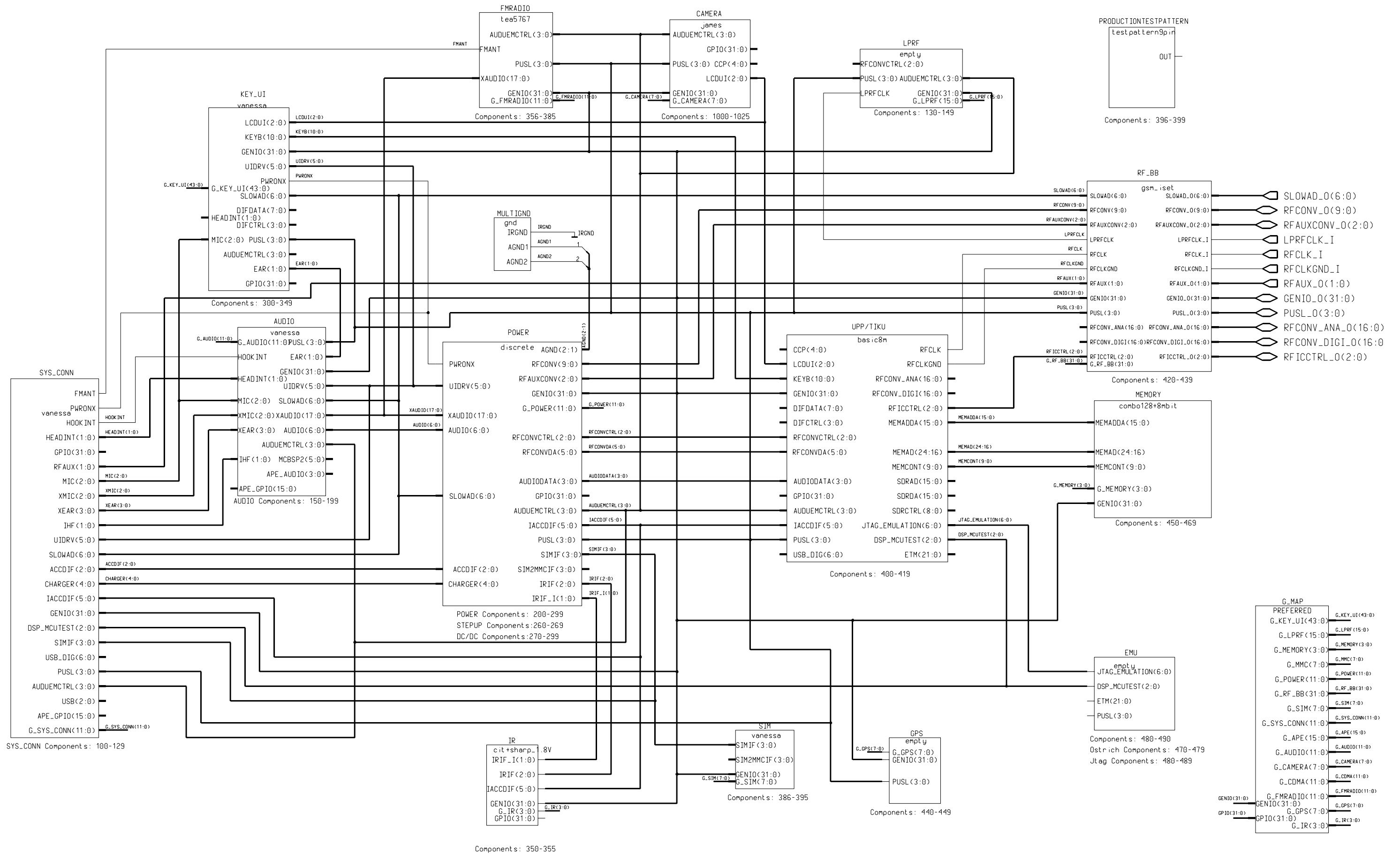



RM-37 Top Level




DCT4 Common BB



GENIO and GPIO Connection Block


GENIO(31:0) 


GPIO(31:0) 

 G_APE(15:0)


 G_AUDIO(11:0)


 G_CAMERA(7:0)

 G_CDMA(11:0)


 G_FMRADIO(11:0)


 G_GPS(7:0)

 G_IR(3:0)


 G_KEY_UI(43:0)

 G_LPRF(15:0)


 G_MEMORY(3:0)

 G_MMC(7:0)

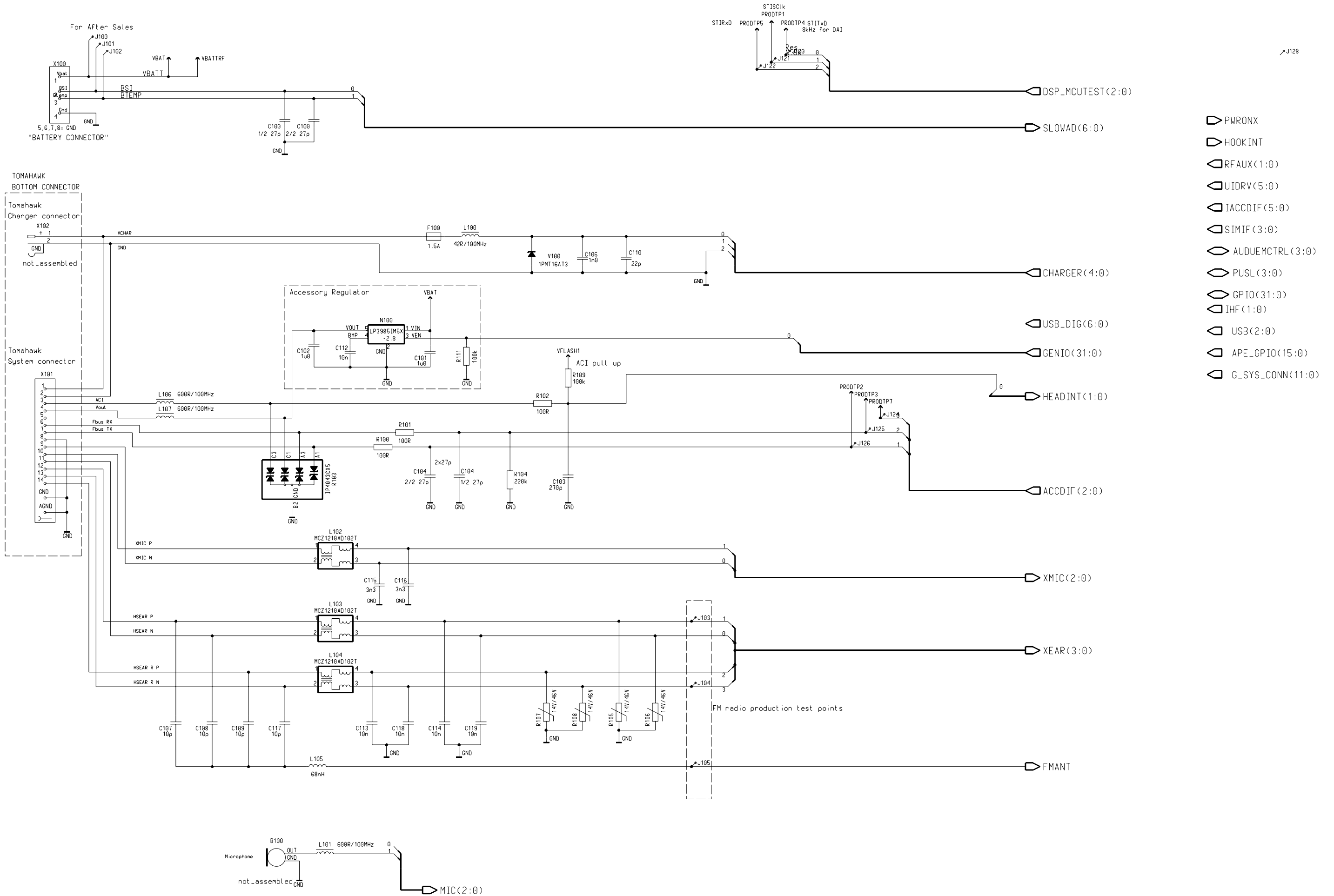
 G_POWER(11:0)

 G_RF_BB(31:0)

 G_SIM(7:0)



 G_SYS_CONN(11:0)

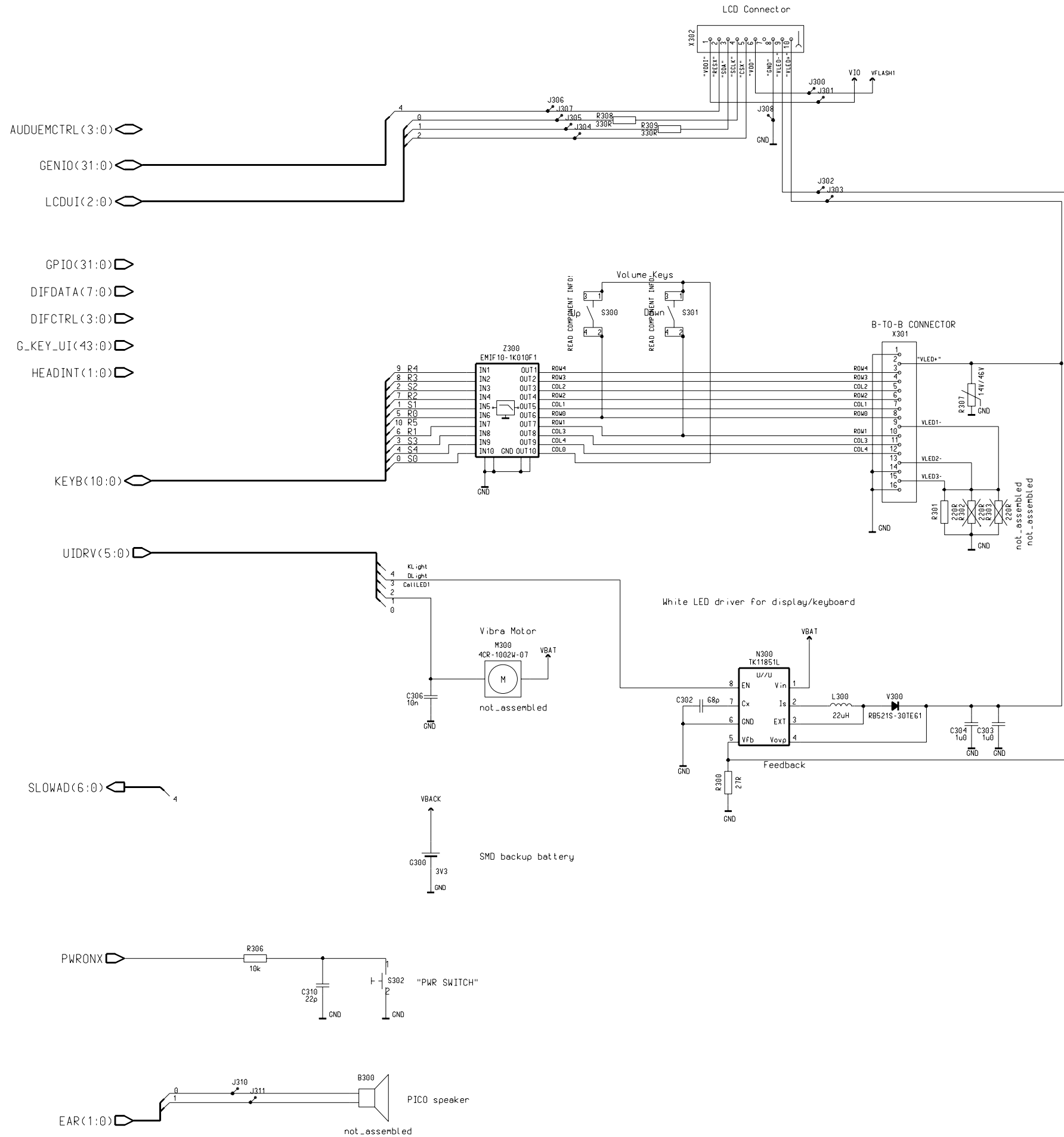
System Connector



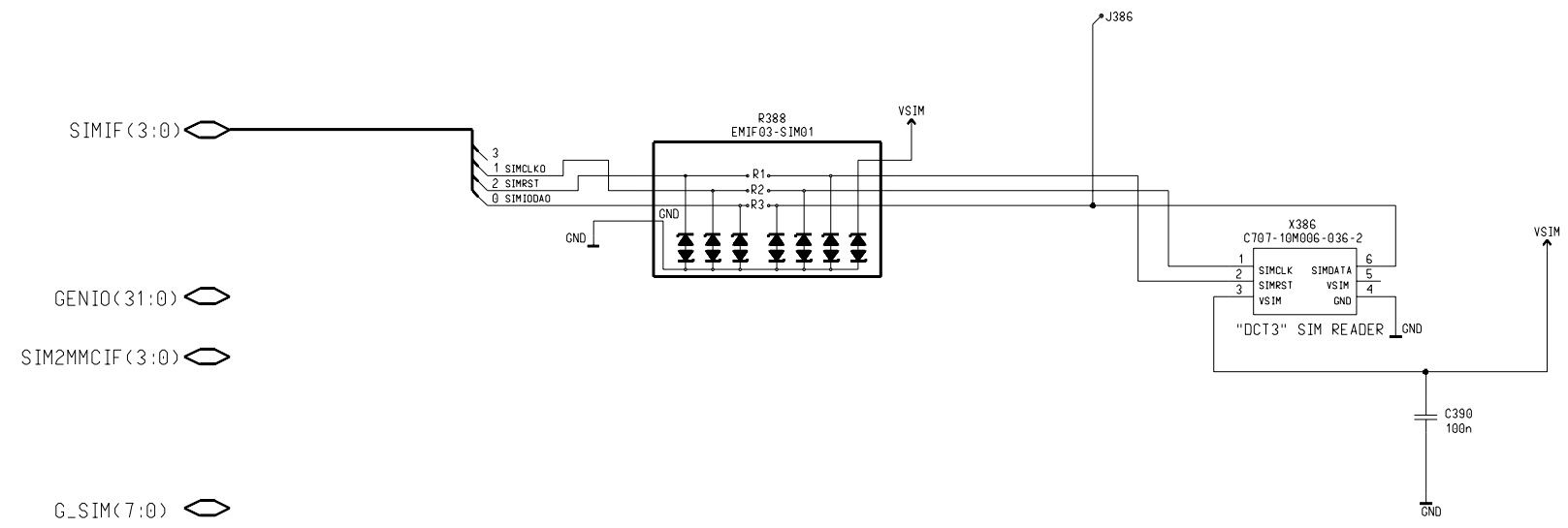
- ▷ PWRONX
- ▷ HOOK INT
- ▷ RFAUX(1:0)
- ▷ UIDRV(5:0)
- ▷ IACCDIF(5:0)
- ▷ SIMIF(3:0)
- ▷ AUDUEMCTRL(3:0)
- ▷ PUSL(3:0)
- ▷ GPIO(31:0)
- ▷ IHF(1:0)
- ▷ USB(2:0)
- ▷ APE_GPIO(15:0)
- ▷ G_SYS_CONN(11:0)

UI

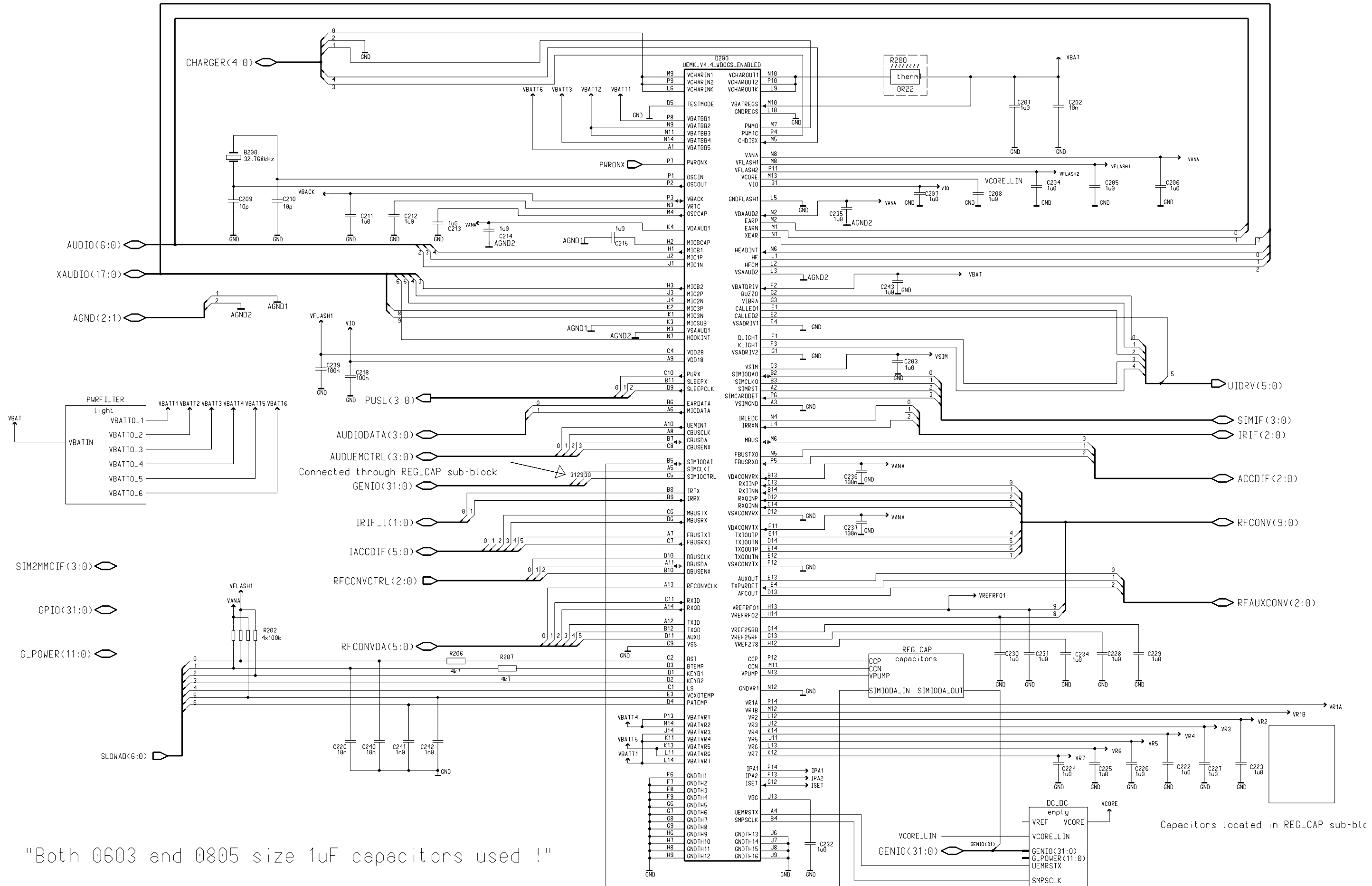
MIC(2:0) 
 PUSL(3:0) 



SIM Reader



Discrete Power Management

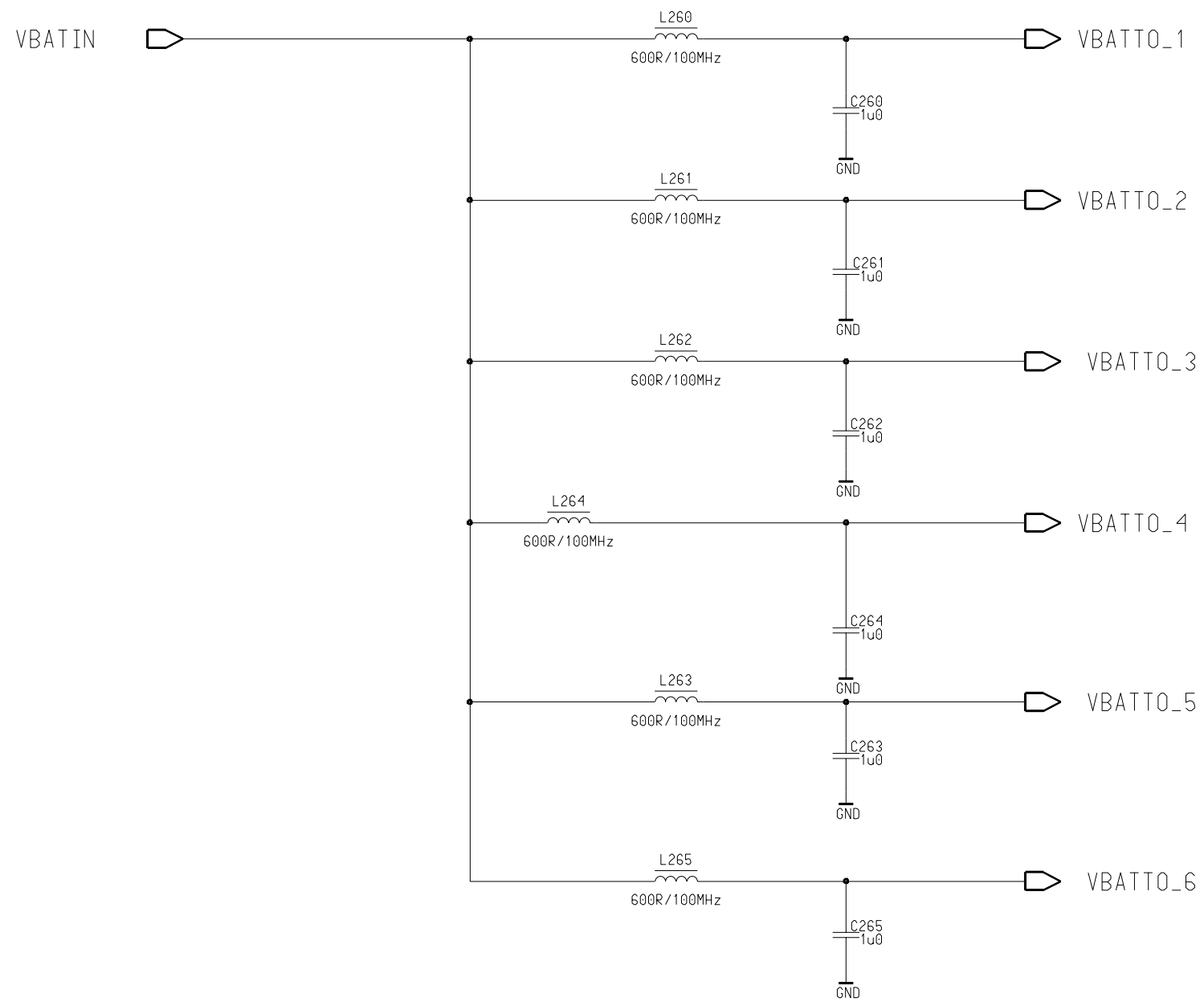


"Both 0603 and 0805 size 1uF capacitors used !"

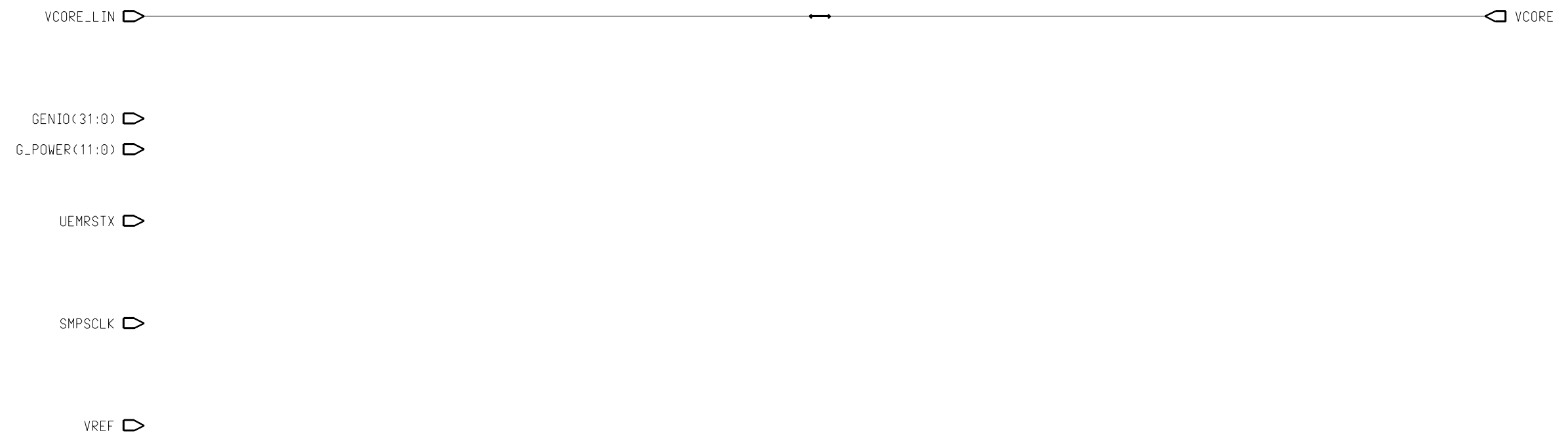
Used refs in REG_CAP: C238, C200, C219, C233, C221 and R205

Capacitors located in REG_CAP sub-bloc

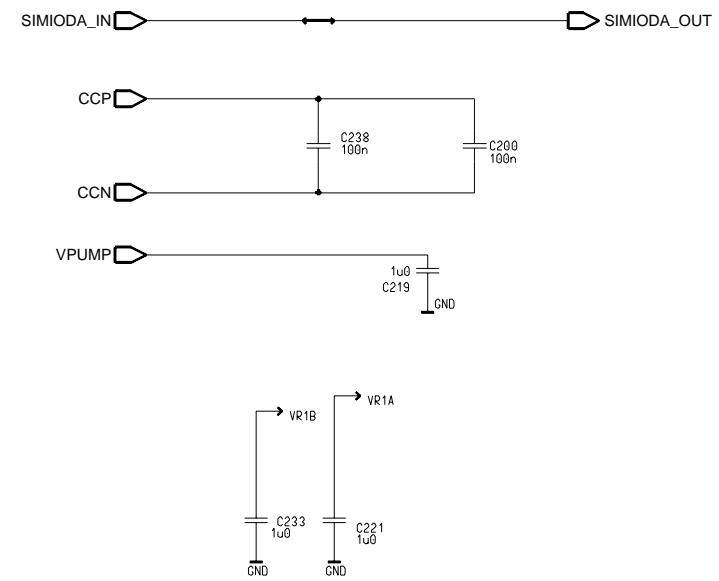
Light Filtering







DC/DC Converter



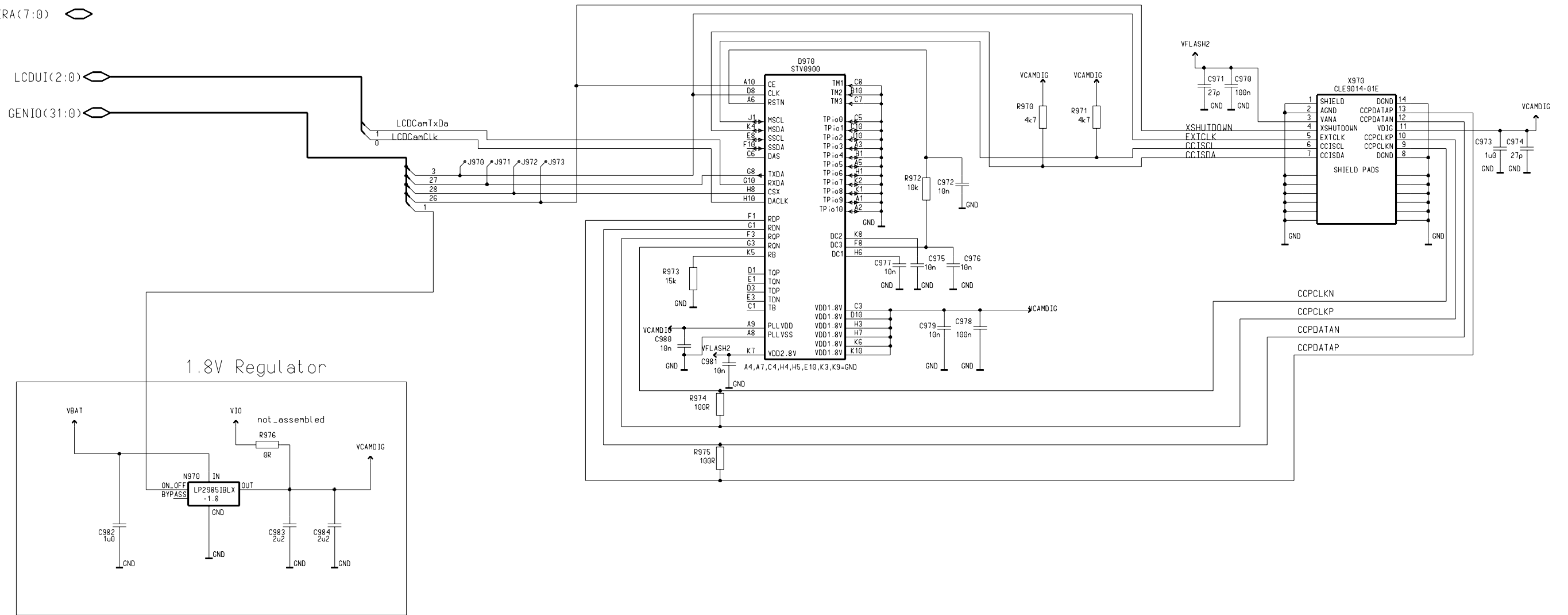
Old Power Discrete



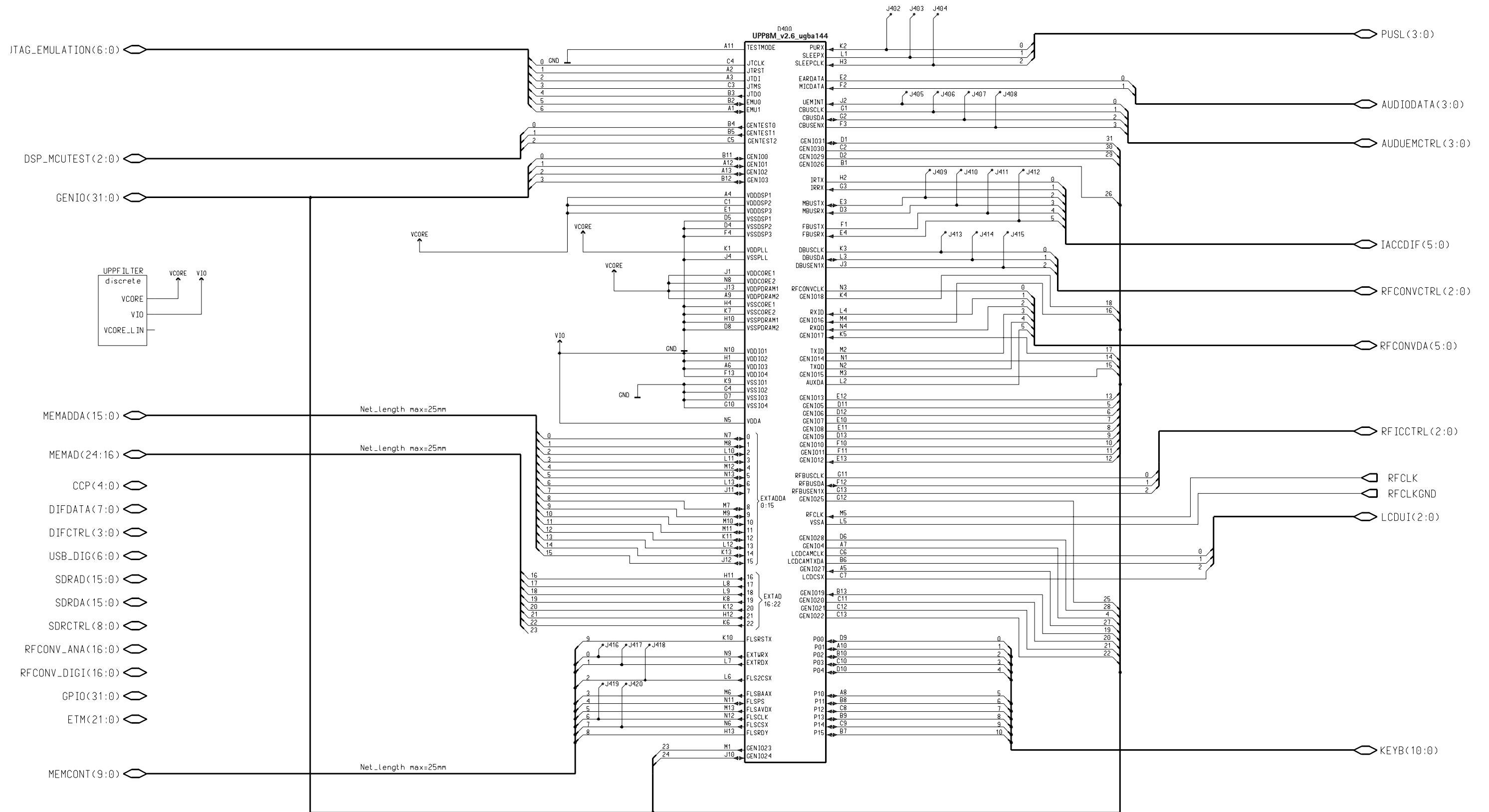
Camera

- GPIO(31:0) 
- AUDUEMCTRL(3:0) 
- CCP(4:0) 
- PUSL(3:0) 

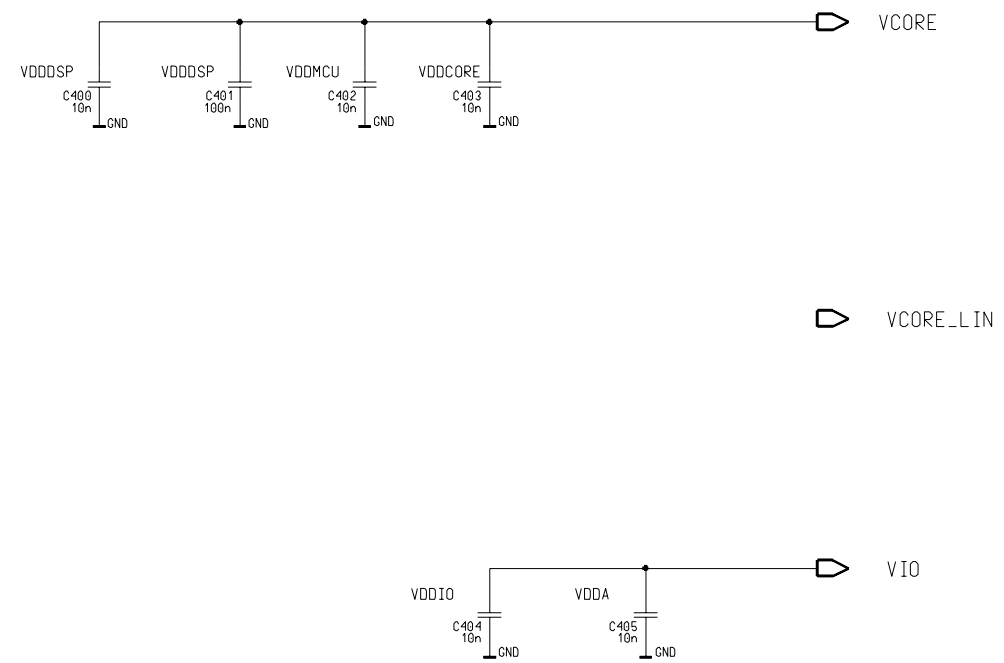
G_CAMERA(7:0) 



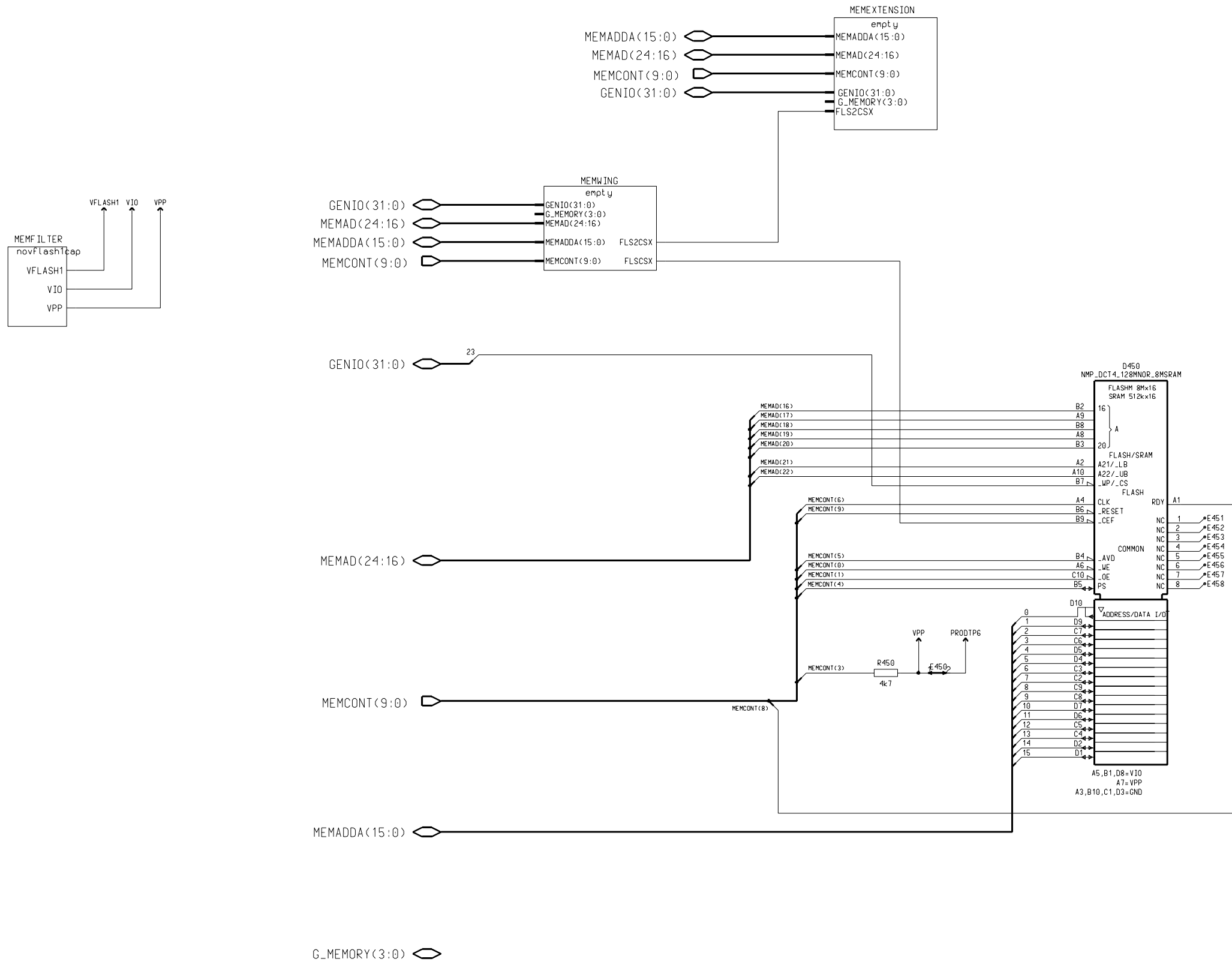
UPP 8M Implementation



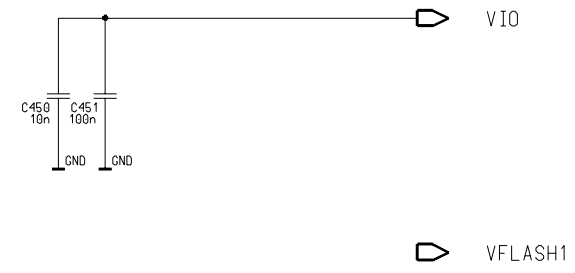
Decoupling Capacitors for UPP



Combo Memory

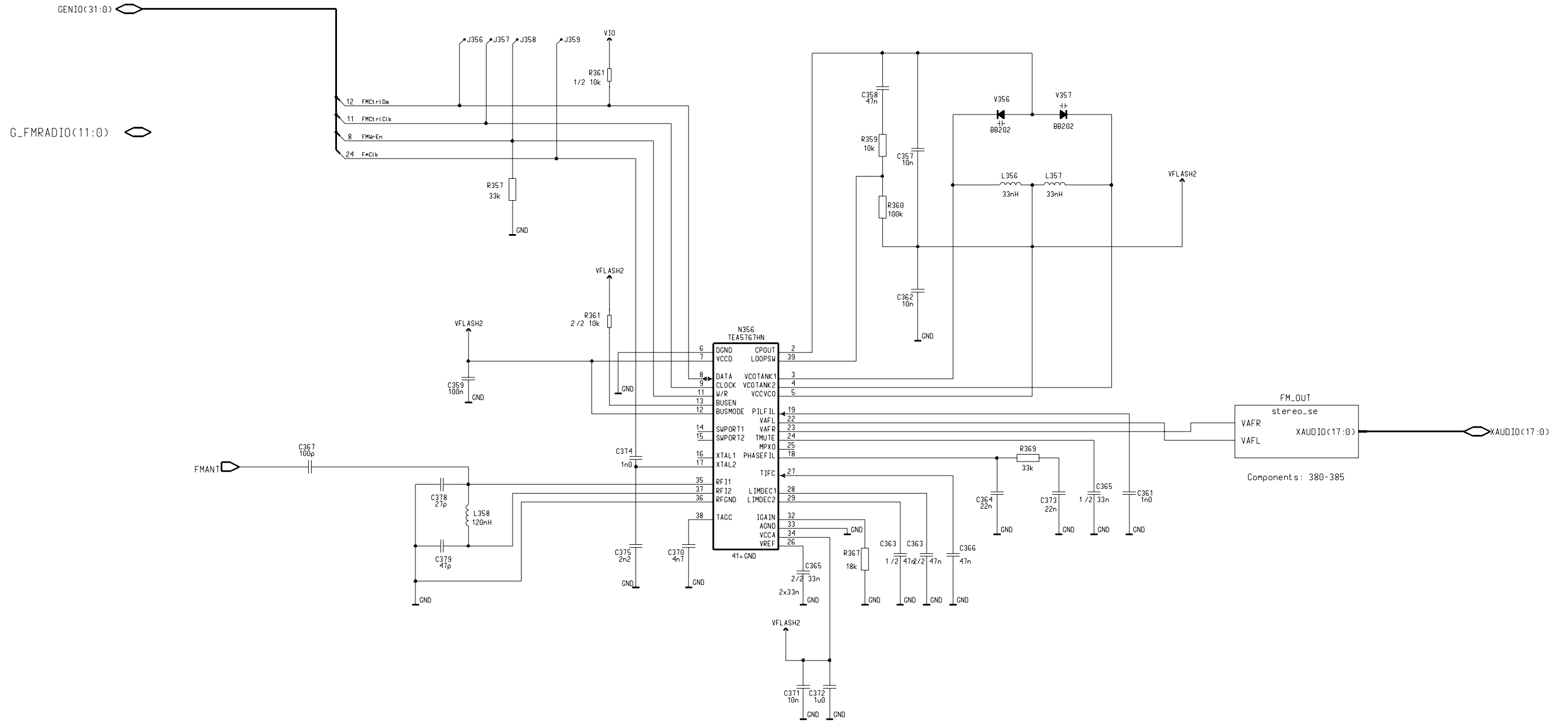


Memory Without VFLASH1



FM Radio

FMCLK = GENIO(24)

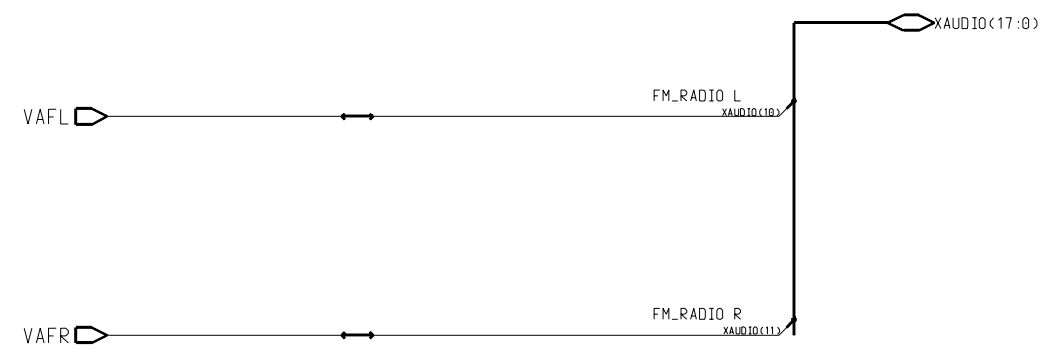


AUDJEMCTRL(3:0)

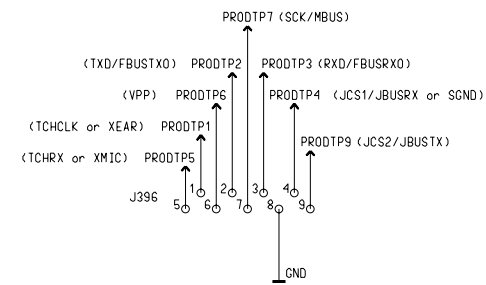
PUSL(3:0)

Notice:
 C374 (1n0) and C375 (2n2) are configured for 32kHz reference clock
 If reference clock is 6.5MHz, use C374 (3p9) and C375 (10p)

FM Radio Out

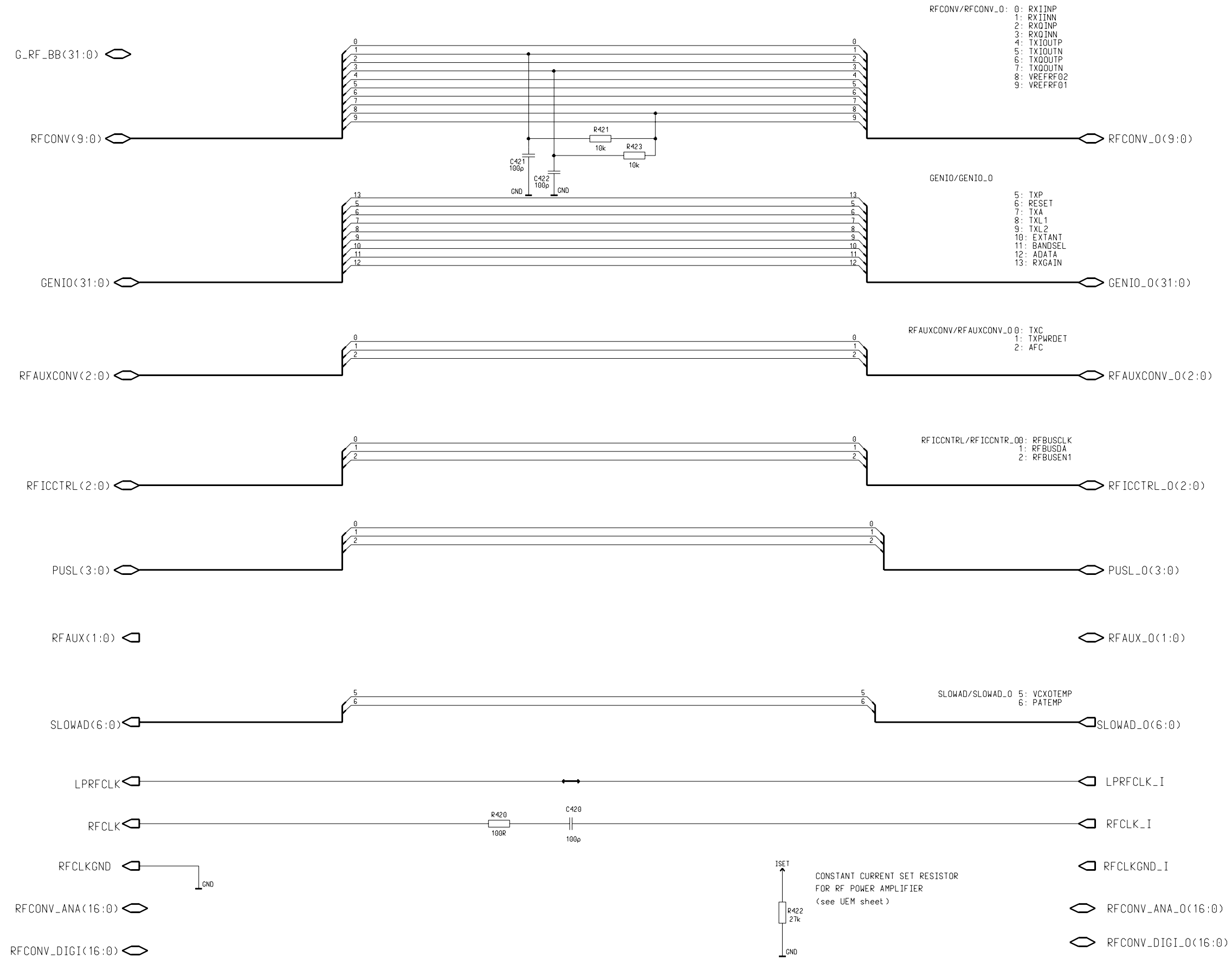


Test Pattern



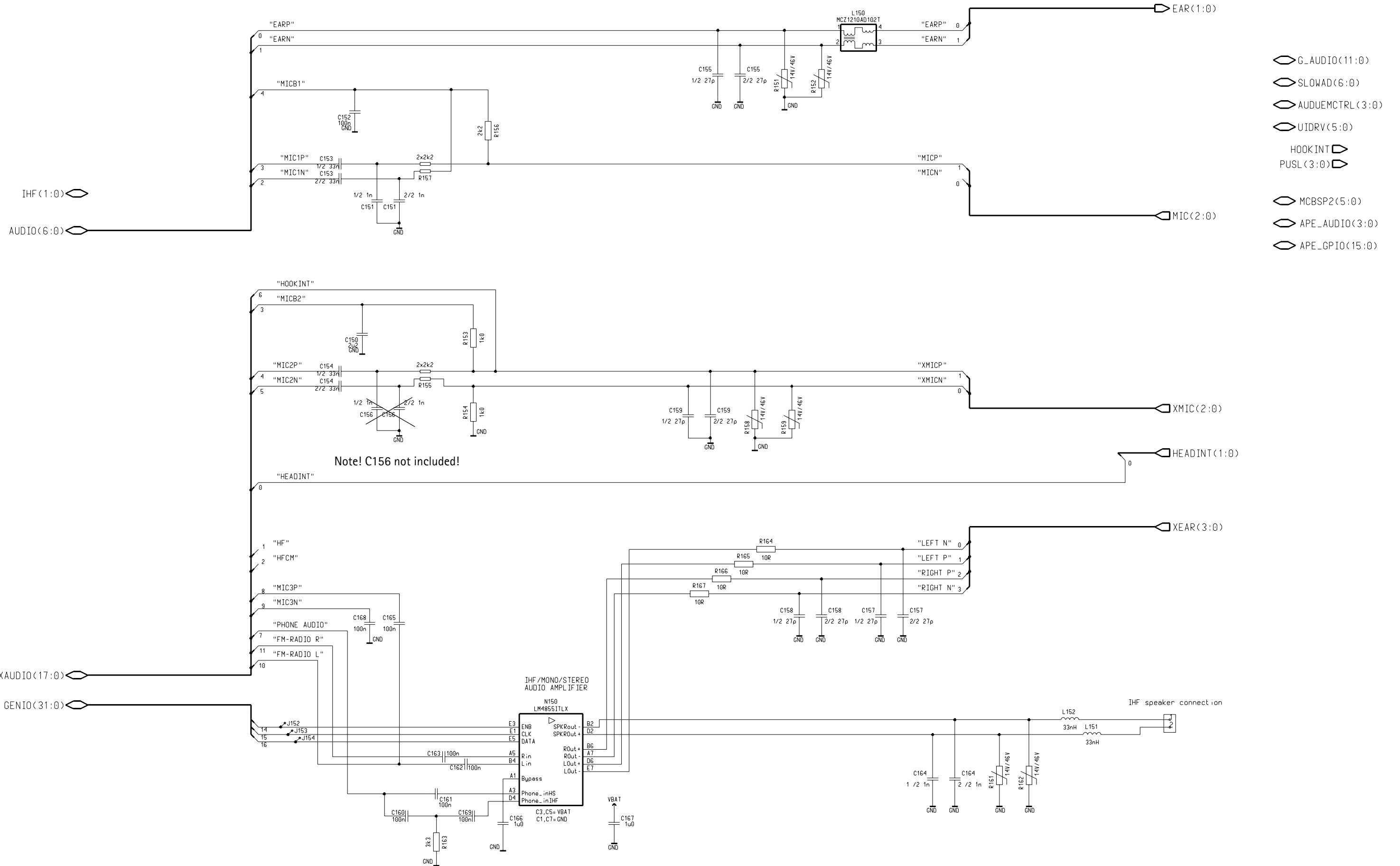
OUT

RF BB Interface

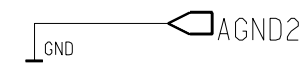
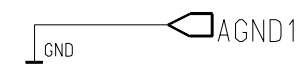
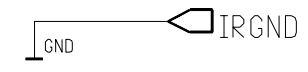


IPA1 AND IPA2 ARE USED IN RF, THE TOLERANCE OF R422 IS 1% (0402, 1430873)

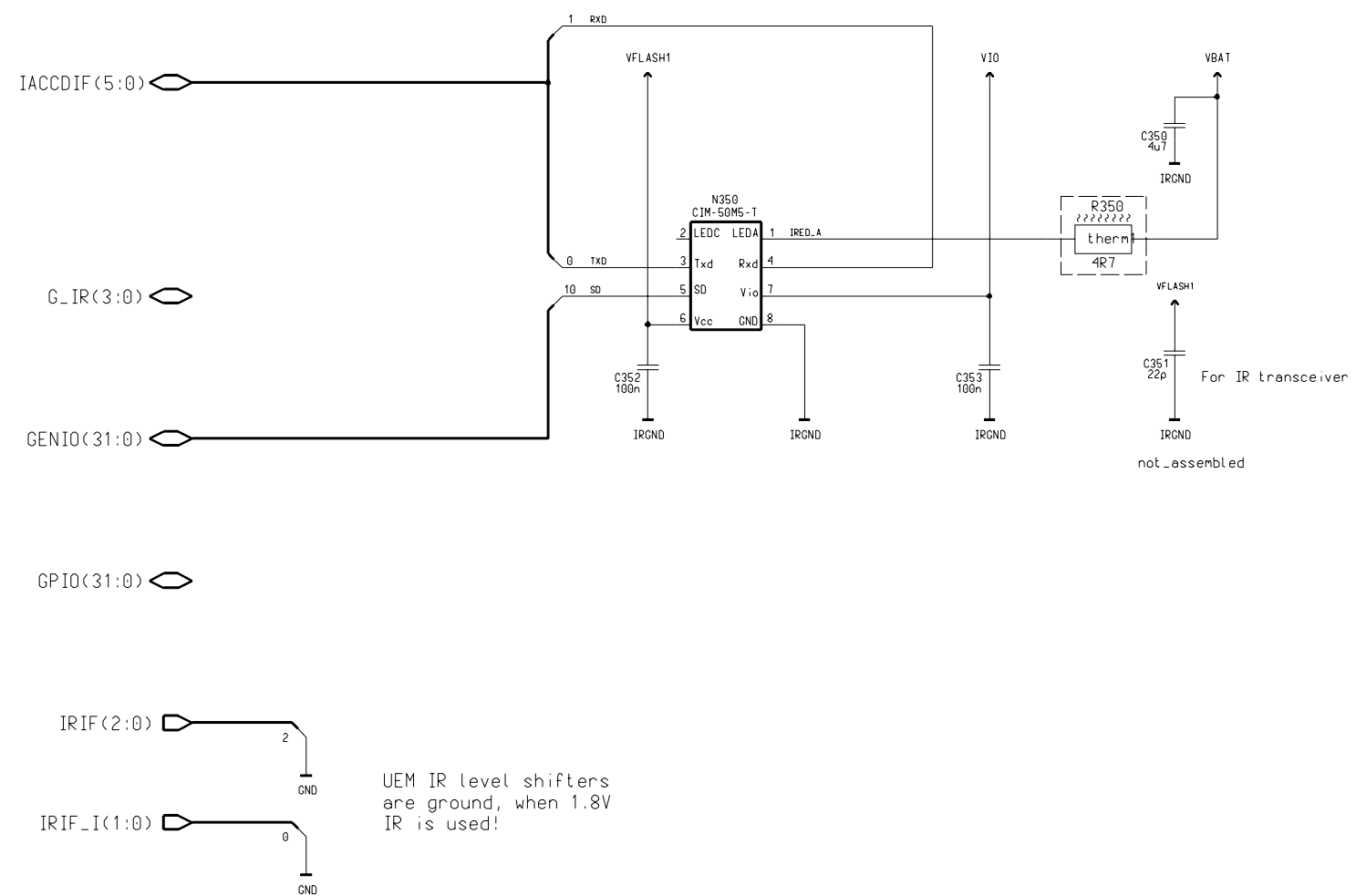
Audio



Multi GND



IR Module



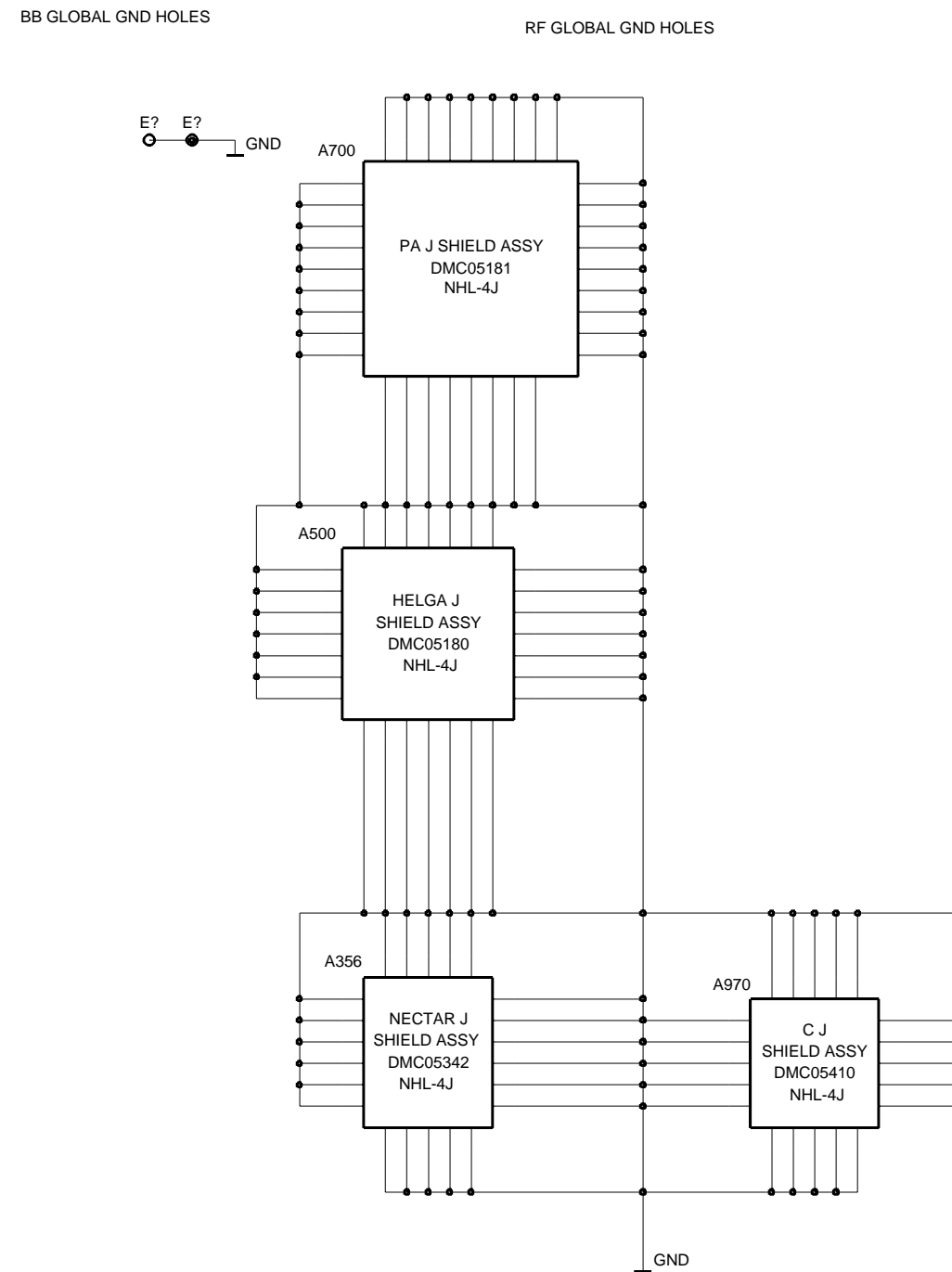
Used referenses

- C 350 - 353
- N 350
- R 350

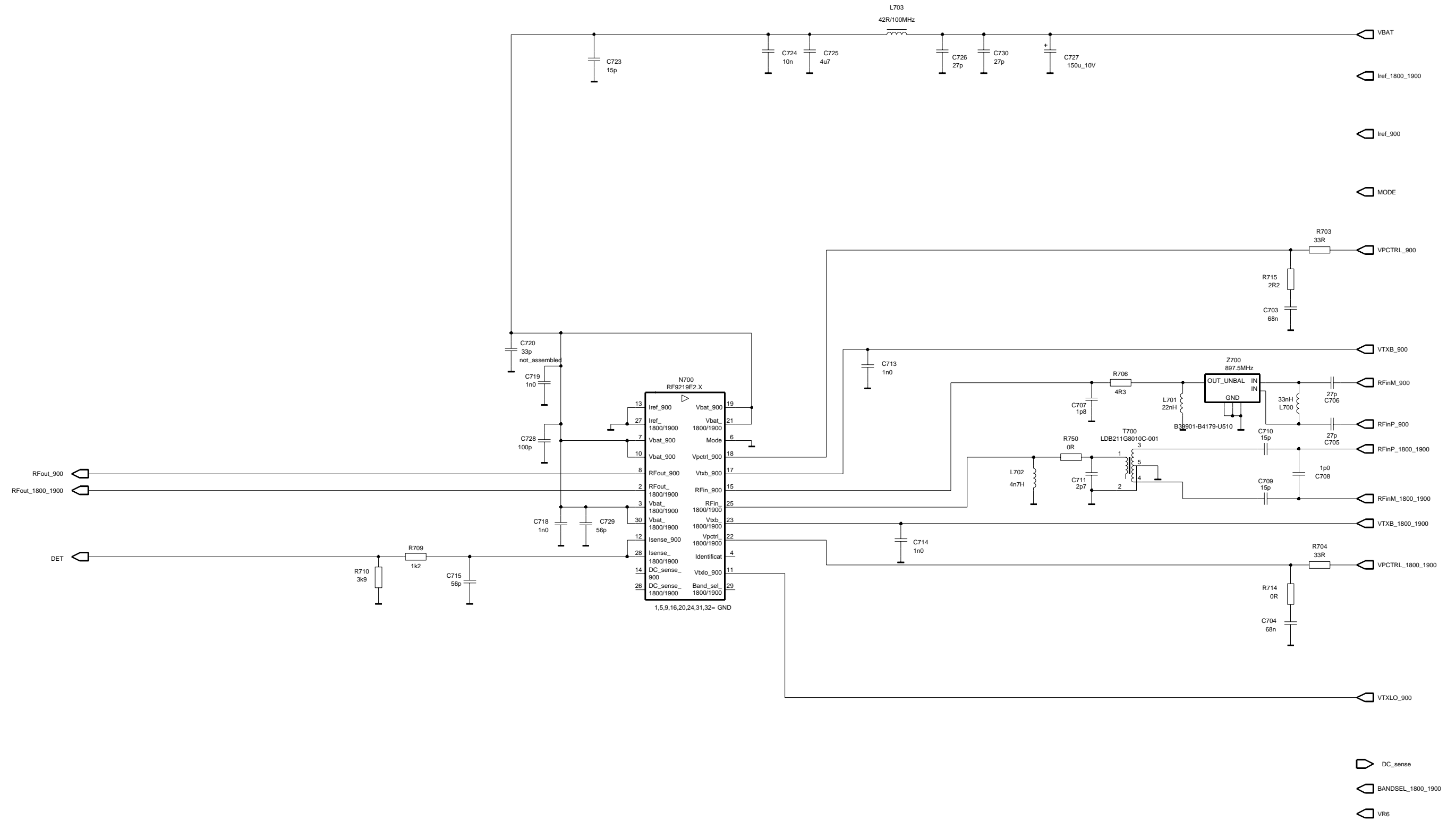
RF



RF Shields and Vias



Power Amplifier and Detection



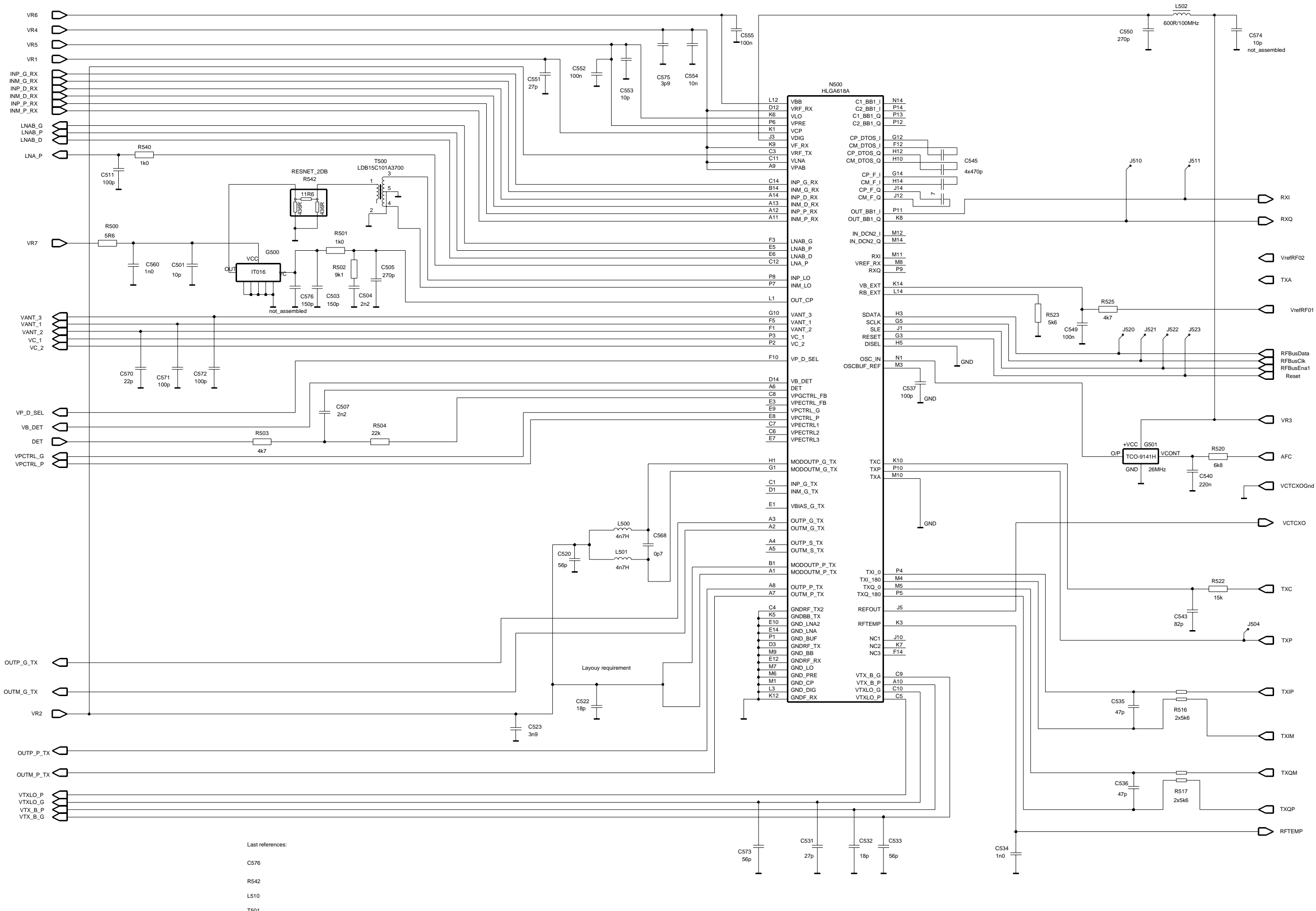
Last references:

C729

R715

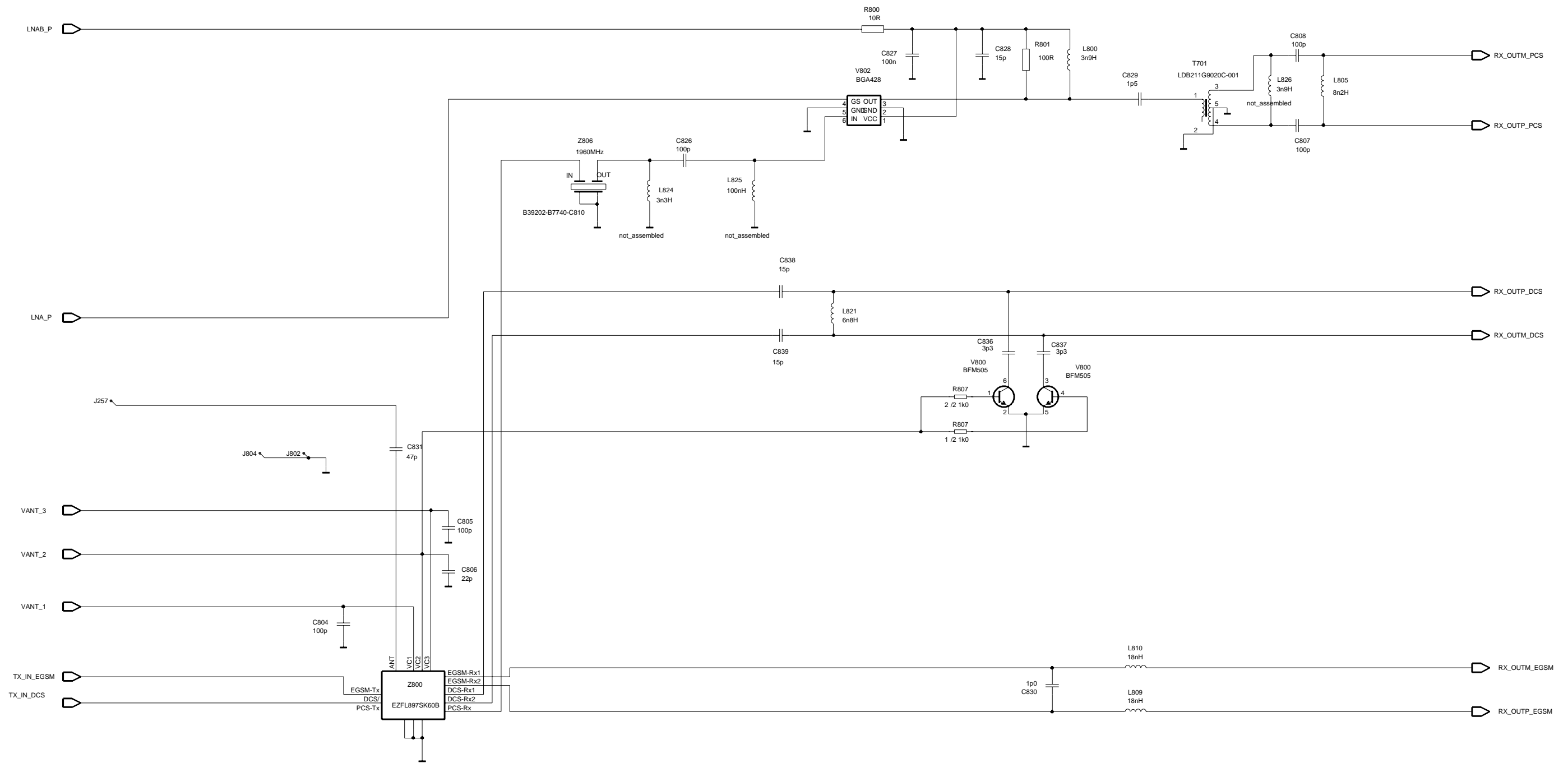
L704

HELGA



Last references:
 C576
 R542
 L510
 T501

RX Front End and Antenna Switch



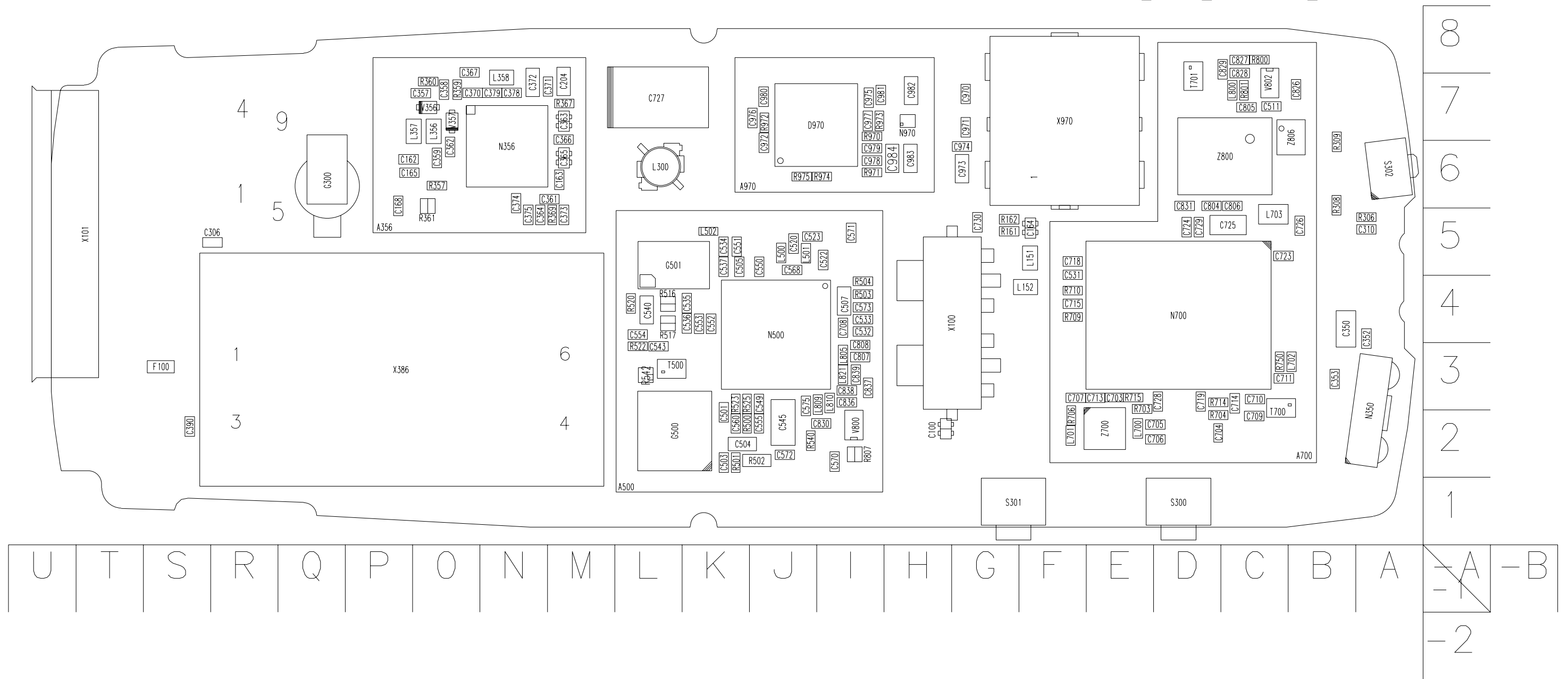
Last references:

C835

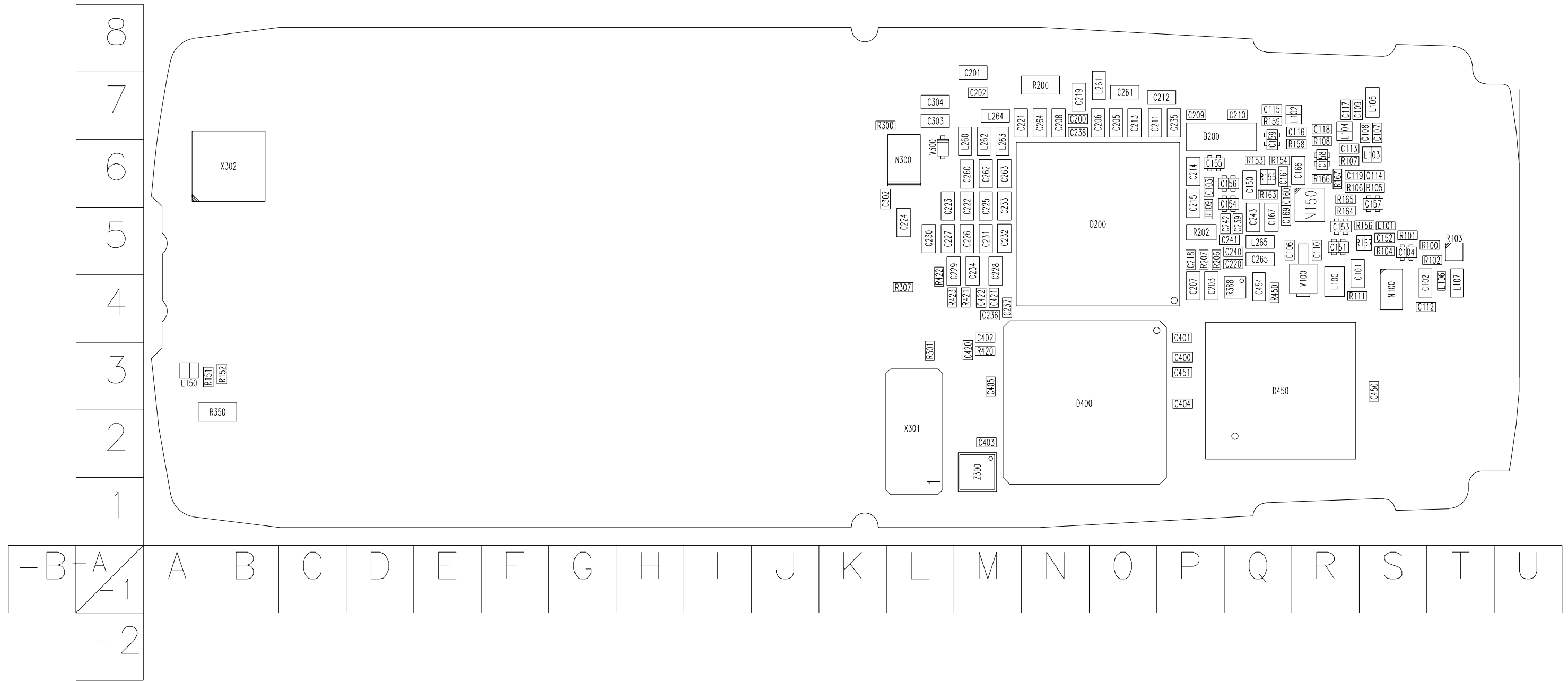
R807

L825

Assembly Values Diagram Bottom



Assembly Values Diagram Top



[This page intentionally blank]